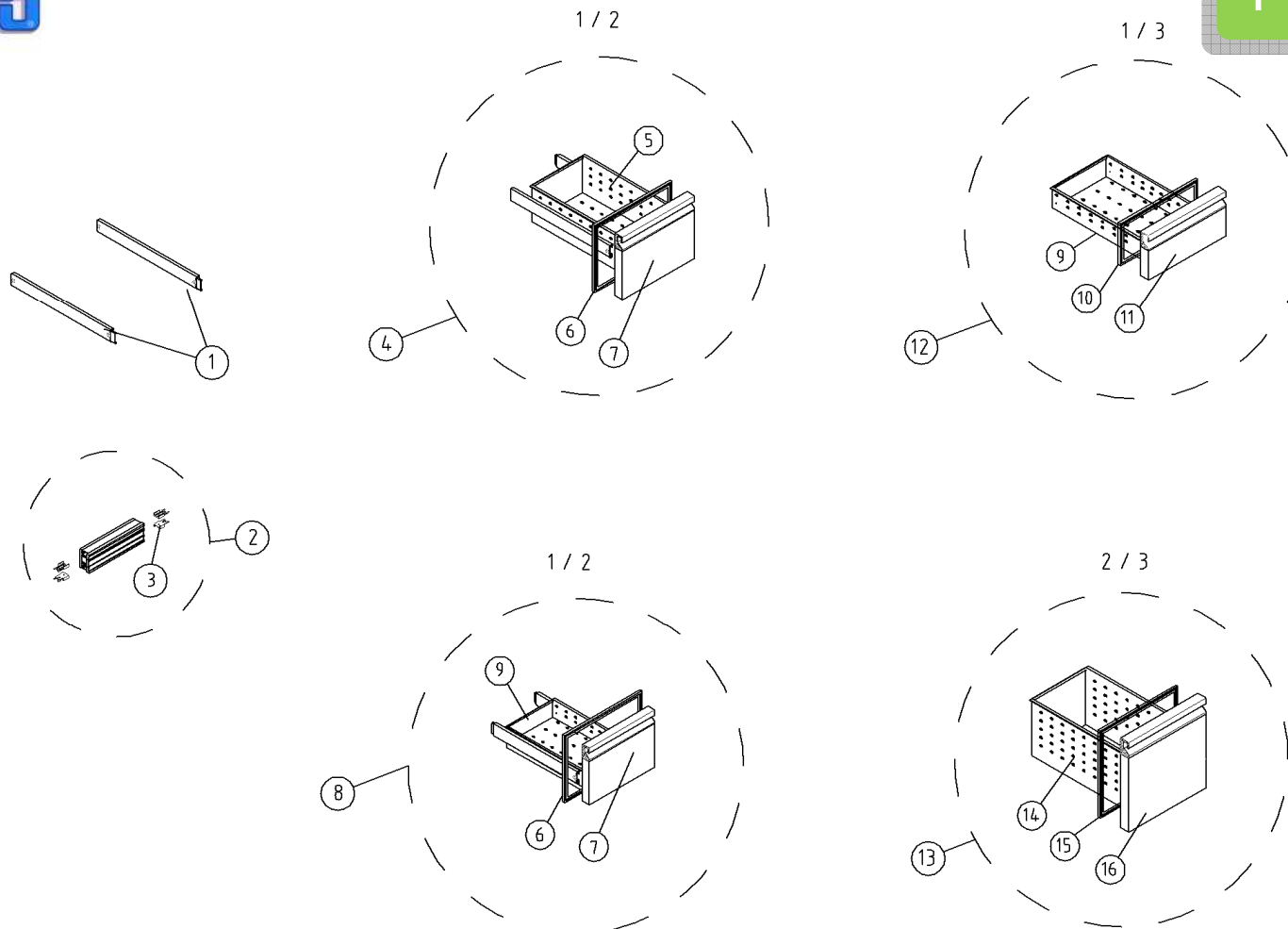


**MESA FRÍA SNACK**  
**PAG-20-21**  
**CAJONES**  
**SNACK**



| Nº | DESCRIPCIÓN                   | DESCRIPTION                     | MRS        | PVP |
|----|-------------------------------|---------------------------------|------------|-----|
| 1  | JUEGO DE GUIAS 465 mm         | TELESCOPIC SLIDE 465mm          | 6033050041 |     |
| 2  | FRONTI ENTRE CAJONES          | ESTERNAL SIDE                   | M161130006 |     |
| 3  | FIJACIÓN FRONTI HORIZONTAL    | HORIZONTAL SUPPORT FRONT        | 6003010011 |     |
| 4  | CAJÓN COMPLETO 1/2            | COMPLETE DRAWERS 1/2            | M169120168 |     |
| 5  | CUERPO CAJÓN 1/2 PROF.190mm   | DRAWER BODY DEPTH 190mm         | M109050535 |     |
| 6  | BURLETE CAJÓN 1/2 460x265mm   | DOOR SEAL 1/2 460x265mm         | 6045010118 |     |
| 7  | PUERTA CAJÓN COMPLETA 1/2     | DRAWER COMPLETE DOOR 1/2        | M169010090 |     |
| 8  | CAJÓN COMPLETO 1/2 LADO GRUPO | MOTOR SIDE COMPLETE DRAWERS 1/2 | M169120169 |     |

| Nº | DESCRIPCIÓN                    | DESCRIPTION                 | MRS        | PVP |
|----|--------------------------------|-----------------------------|------------|-----|
| 9  | CUERPO CAJÓN 1/2 PROF.100mm    | DRAWER BODY DEPTH 100mm     | M109050536 |     |
| 10 | BURLETE CAJÓN 1/3 460 x 158 mm | DOOR SEAL 1/2 460 x 158 mm  | 6045010117 |     |
| 11 | PUERTA CAJÓN COMPLETA 1/3      | DRAWER COMPLETE DOOR 1/3    | M169010091 |     |
| 12 | CAJÓN COMPLETO 1/3             | COMPLETE DRAWERS 1/3        |            |     |
| 13 | CAJÓN COMPLETO 2/3             | COMPLETE DRAWERS 2/3        |            |     |
| 14 | CUERPO CAJÓN 2/3 PROF.290mm    | DRAWER BODY 2/3 DEPTH 290mm |            |     |
| 15 | BURLETE CAJÓN 2/3 460 x 370 mm | DOOR SEAL 2/3 460 x 370 mm  | 6045010116 |     |
| 16 | PUERTA CAJÓN COMPLETA 2/3      | DRAWER COMPLETE DOOR 2/3    | M169010089 |     |