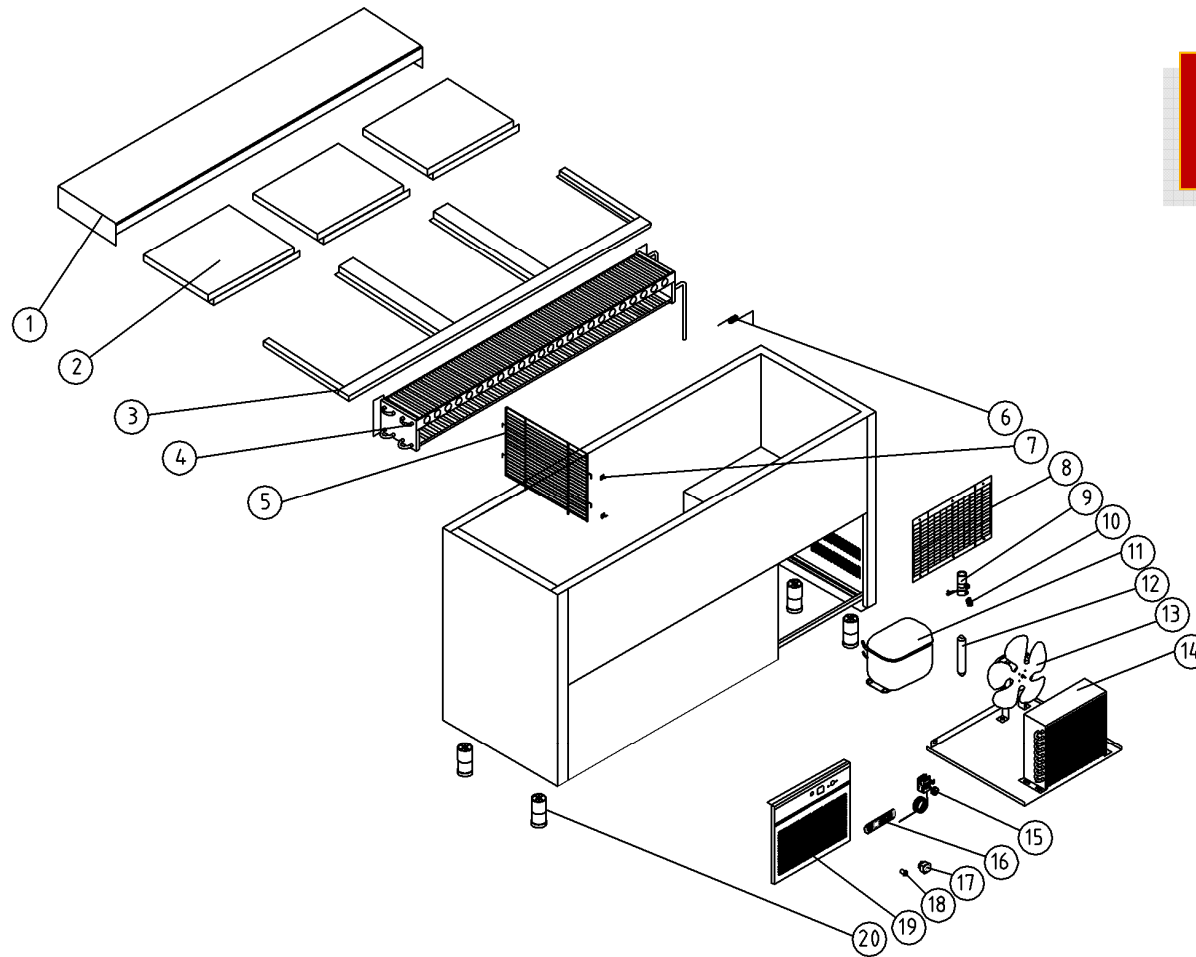


**ENFRIADOR DE BOTELLAS**  
**PAG-86**  
**BE-100-150-200-250-300**

**3 BOTELLEROS**  
**BOTELLERO SNACK**



| Nº | DESCRIPCIÓN              | DESCRIPTION          | BE-100     | PVP | BE-150     | PVP | BE-200     | PVP | BE-250     | PVP | BE-300     | PVP |
|----|--------------------------|----------------------|------------|-----|------------|-----|------------|-----|------------|-----|------------|-----|
| 1  | ENCIMERA                 | WORKTOP              | B181010019 |     | B181010012 |     | B181010013 |     | B181010014 |     | B181010016 |     |
| 2  | PUERTAS                  | DOORS                | B169010003 |     | B169010003 |     | B169010003 |     | B169010003 |     | B169010003 |     |
| 3  | BRAZO EMBELLECEDOR       | SET OF GUIDES DOOR   | B181050011 |     | B181050005 |     | B181050006 |     | B181050007 |     | B181050009 |     |
| 4  | EVAPORADOR               | EVAPORATOR           | 6029010094 |     | 6029010058 |     | 6029010059 |     | 6029010060 |     | 6029010061 |     |
| 5  | SEPARADORES BOTELLEROS   | INNER GRIDE          | 6027130003 |     | 6027130003 |     | 6027130003 |     | 6027130003 |     | 6027130003 |     |
| 6  | TUBO CAPILAR             | CAPILARY TUBE        | B107020001 |     | A107020004 |     | E107020006 |     | V107020005 |     | V107020005 |     |
| 7  | SOPORTE PARRILLA         | SHELF SUPPORT        | 6003010124 |     | 6003010124 |     | 6003010124 |     | 6003010124 |     | 6003010124 |     |
| 8  | REJILLA TRASERA          | REAR GRILLE          | 6003010181 |     | 6003010181 |     | 6003010181 |     | 6003010181 |     | 6003010181 |     |
| 9  | CONDENSADOR DE ARRANQUE  | TO STAR CONDENSER    | 6021010036 |     | 6021010037 |     | 6021010037 |     | 6021010151 |     | 6021010151 |     |
| 10 | RELE DE ARRANQUE         | COMPRESSOR STARTER   | 6021010047 |     | 6021010045 |     | 6021010025 |     | 6021010150 |     | 6021010150 |     |
| 11 | COMPRESOR                | COMPRESSOR           | 6021010010 |     | 6021010004 |     | 6021010007 |     | 6021010142 |     | 6021010142 |     |
| 12 | FILTRO SECADOR           | DEHYDRATION FILTER   | 6047010001 |     | 6047010003 |     | 6047010003 |     | 6047010003 |     | 6047010003 |     |
| 13 | VENTILADOR CONDENSADOR   | CONDENSER FAN        | 6021050004 |     | 6021050004 |     | 6021050002 |     | 6021050002 |     | 6021050002 |     |
| 14 | CONDENSADOR              | CONDENSER            | 6029020004 |     | 6029020008 |     | 6029020002 |     | 6029020003 |     | 6029020003 |     |
| 15 | TERMOSTATO ANALOGICO     | ANALOGIC THERMOSTAT  | 6021350023 |     | 6021350023 |     | 6021350023 |     | 6021350023 |     | 6021350023 |     |
| 16 | PEGATINA CARATULA        | COVER STICKER        | 6023010550 |     | 6023010550 |     | 6023010550 |     | 6023010550 |     | 6023010550 |     |
| 17 | INTERRUPTOR GENERAL      | MAIN SWICHT ON/OFF   | 6021130011 |     | 6021130011 |     | 6021130011 |     | 6021130011 |     | 6021130011 |     |
| 18 | PILOTO AMBAR             | AMBER PILOT LIGHT    | 6021130003 |     | 6021130003 |     | 6021130003 |     | 6021130003 |     | 6021130003 |     |
| 19 | REJILLA CUADRO DE MANDOS | CONTROL PANEL GRILLE | B177010002 |     | B177010002 |     | B177010002 |     | B177010002 |     | B177010002 |     |
| 20 | PATA REGULABLE           | ADJUSTABLE FEET      | 6007050031 |     | 6007050031 |     | 6007050031 |     | 6007050031 |     | 6007050031 |     |