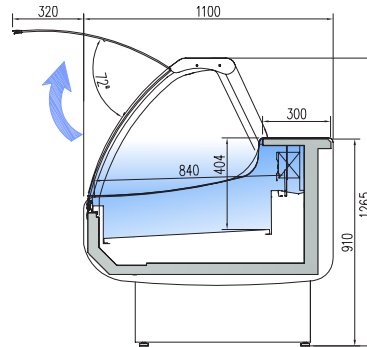


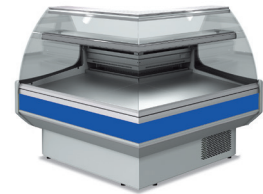
| |
|-----------------|
| CVE-10E-10-C-TF |
| CVE-10E-13-C-TF |
| CVE-10E-15-C-TF |
| CVE-10E-20-C-TF |
| CVE-10E-25-C-TF |
| CVE-10E-30-C-TF |



| |
|------------------|
| CVES-10E-10-C-TF |
| CVES-10E-13-C-TF |
| CVES-10E-15-C-TF |
| CVES-10E-20-C-TF |
| CVES-10E-25-C-TF |
| CVES-10E-30-C-TF |



| |
|-----------------|
| CVE-10E-AP90-C |
| CVES-10E-AP90-C |



| |
|-----------------|
| CVE-10E-RP90-C |
| CVES-10E-RP90-C |

| mod. | largo length (mm) | alto high (mm) | fondo depth (mm) | exposición display (m²) | CVE cámara storage (m³) | CVE puertas doors (uds) | CVES cámara storage (m³) | CVES puertas dSoors (uds) | potencia frig. frig. power (W) | consumo consumption (W) | refrigerante refrigerant |
|--------------|-------------------|----------------|------------------|-------------------------|-------------------------|-------------------------|--------------------------|---------------------------|--------------------------------|-------------------------|--------------------------|
| CVE-10E-10 | 1055 | 1235 | 1100 | 0,79 | 0,38 | 1 | 0 | 0 | 545 | 911 | R-452A |
| CVE-10E-13 | 1305 | 1235 | 1100 | 0,99 | 0,5 | 2 | 0 | 0 | 635 | 1095 | R-452A |
| CVE-10E-15 | 1525 | 1235 | 1100 | 1,17 | 0,58 | 2 | 0 | 0 | 855 | 1221 | R-452A |
| CVE-10E-20 | 2025 | 1235 | 1100 | 1,58 | 0,79 | 3 | 0 | 0 | 1050 | 1515 | R-452A |
| CVE-10E-25 | 2525 | 1235 | 1100 | 1,99 | 0,99 | 4 | 0 | 0 | 1220 | 1547 | R-452A |
| CVE-10E-30 | 2995 | 1235 | 1100 | 2,37 | 1,25 | 4 | 0 | 0 | 1755 | 1599 | R-452A |
| CVE-10E-AN90 | 1500 | 1235 | 1500 | 0,98 | 0 | 0 | 0 | 0 | 687 | 1125 | R-452A |
| CVE-10E-AP90 | 1325 | 1235 | 1325 | 1,04 | 0 | 0 | 0 | 0 | 687 | 1125 | R-452A |
| CVE-10ERN90 | 1352 | 1235 | 1352 | 1,01 | 0 | 0 | 0 | 0 | 687 | 1125 | R-452A |
| CVE-10E-RP90 | 1335 | 1235 | 1335 | 1,32 | 0 | 0 | 0 | 0 | 687 | 1125 | R-452A |

características técnicas y constructivas sujetas a variación sin previo aviso

we reserve the right to change specifications whitout prior notice

- Exterior e interior en chapa de acero plastificada
 - Plano exposición y encimera en acero inox AISI-304
 - Bandejas plano de exposición lisas, con escalón al mismo precio
 - Costados de 40 mm en ABS inyectado excepto acabado madera
 - Decoración estándar: costados cortos gris oscuro frontal gris + franja decorativa azul. Perfilera en aluminio anodizado
 - Paragolpes en la parte delantera
 - Cristal frontal templado, abatible y elevable
 - Iluminación doble LED 6500 K en la encimera
 - Opción LED 3000 K (luz cálida) o ROSA, al mismo precio
 - Aislamiento de poliuretano inyectado, densidad 40 Kg/m³, cero efectos ODP y GWP
 - Reserva refrigerada con puertas, hueco 440x270 (excepto modelo neutro)
 - **Evaporador ventilado**, estático opcional, con tratamiento EPOXY anticorrosión de serie
 - Condensación ventilada, evaporación automática de serie (sólo con motor incorporado)
 - Control electrónico de temperatura
 - Indicador de temperatura
 - Descarche automático
 - Clase climática 4 (30°C 55%) régimen M1
- M1 temperatura producto -1/+5°C UNE-EN ISO 23953-2:2006

- Interior and exterior finish in plastic coated steel
 - Display area and counter in stainless steel AISI-304
 - Smooth deck for display area, stepped at same price
 - 40 mm sides in injected ABS, exceptd wood decor
 - Standard decoration: short dark gray sides gray front+ blue decorative stripe
 - Anodised aluminium profiles
 - Front rubber bumper
 - Tempered and liftable front glass
 - Double LED 6500 K top lighting
 - Optional 3000 K LED (soft light) or Fresh red, same price
 - 40 Kg/m³ density polyurethane insulation, zero ODP and GWP
 - Refrigerated under storage with doors,440x270free (except for ambient models)
 - **Ventilated evaporator**, static on demand, with anticorrosion EPOXY treated as standard
 - Ventilated condensation and automatic evaporation as standard (only models with condenser unit)
 - Electronic temperature controller
 - External thermometer
 - Auto defrost
 - Climate class 4 (30°C 55%) regime M1
- M1 product temperature -1/+5°C UNE-EN ISO 23953-2:2006

| OPCIONES OPTIONS | decoración frontal front decor | decoración total total decor | lacado alto brillo High glossy lacquered | evaporador estático static evaporator | cierre plexi plexi doors | cierre cortina night blind | luz extra LED extra lighting | neutra neutral | remoto remote |
|------------------|--------------------------------|------------------------------|--|---------------------------------------|--------------------------|----------------------------|------------------------------|----------------|---------------|
| CVE-8-10 | | | | | | | | | |
| CVE-8-13 | | | | | | | | | |
| CVE-8-15 | | | | | | | | | |
| CVE-8-20 | | | | | | | | | |
| CVE-8-25 | | | | | | | | | |
| CVE-8-30 | | | | | | | | | |

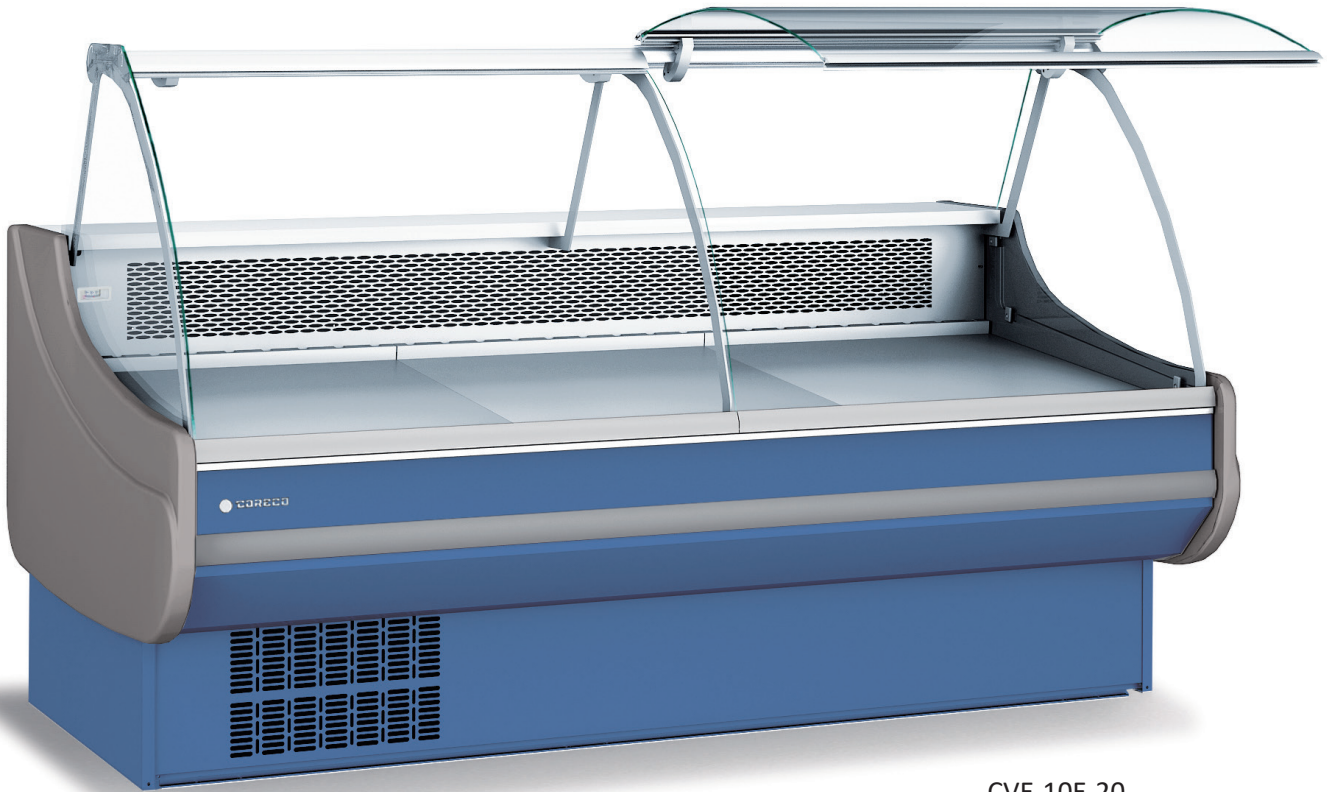
Versión REMOTO, incluye válvula de expansión (404a) y valvula solenoide
REMOTE version, expansion valve (404A) and solenoid valve, included

220v 60Hz / 115v 60Hz consultar - consult

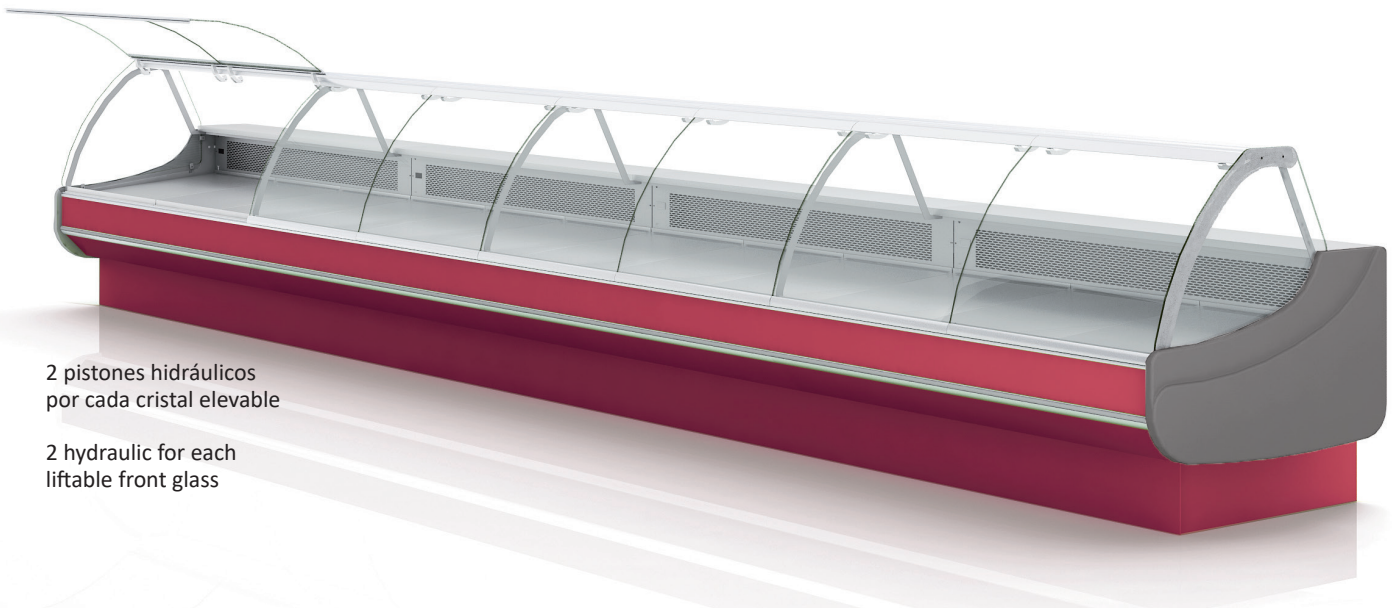
all photos must be considered as a reference - fotografías no contractuales



DE SERIE
STANDAR



CVE-10E-20



2 pistones hidráulicos
por cada cristal elevable

2 hydraulic for each
liftable front glass