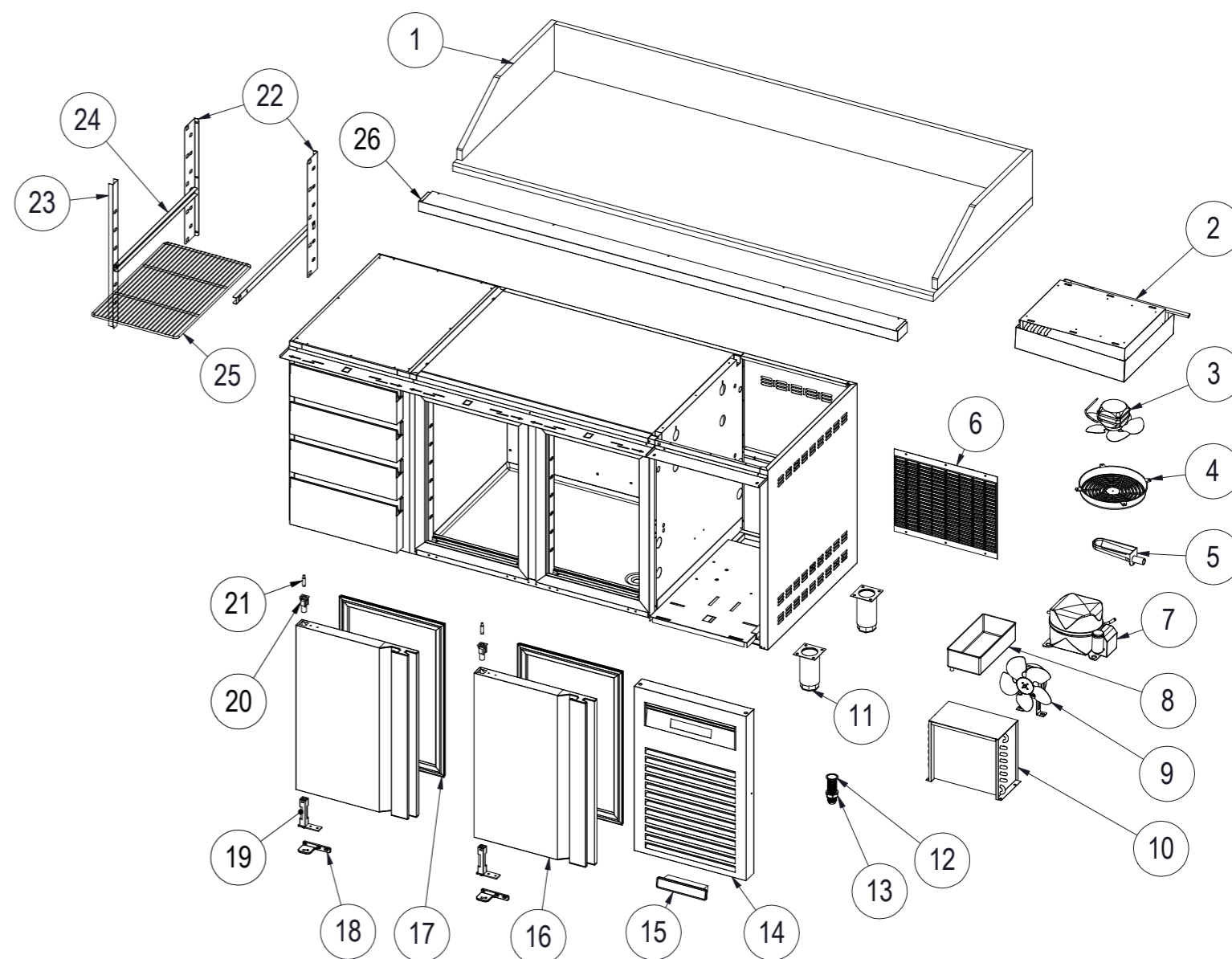


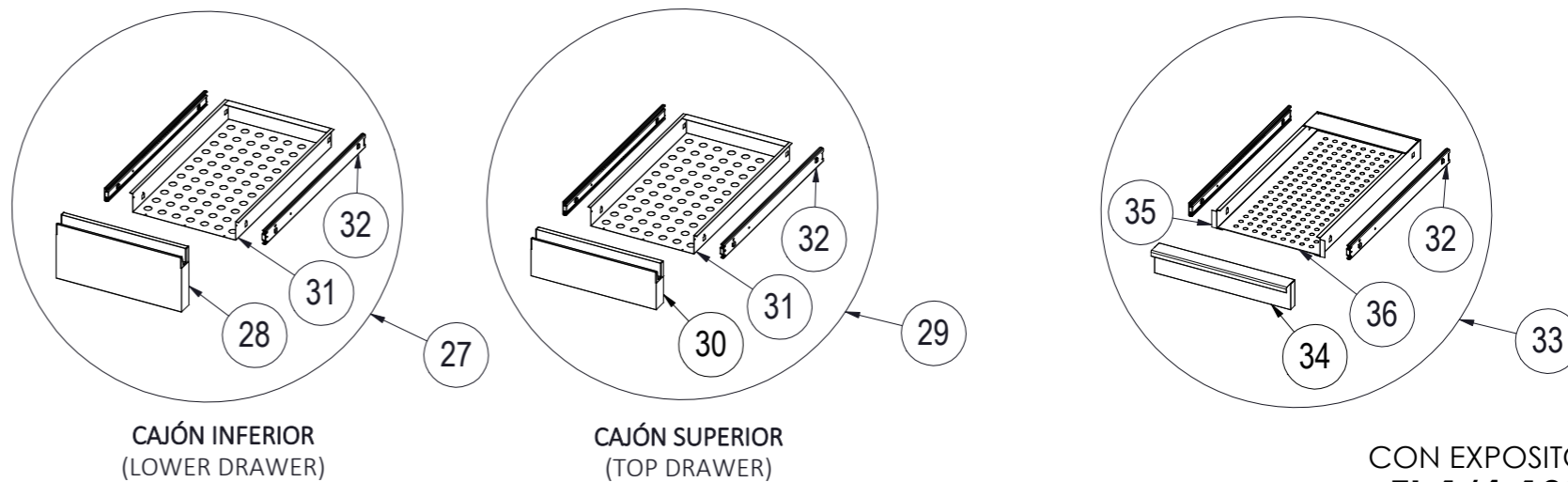
Nº	DESCRIPCIÓN	DESCRIPTION	MFP70-180	MFP70-225
1	ENCIMERA GRANITO	GRANITE WORKTOP	6031010060	6031010056
	PETO LATERAL GRANITO	SIDE GRANITE UPSTAND	6031010112	6031010112
	PETO TRASERO GRANITO	REAR GRANITE UPSTAND	6031010114	6031010115
2	EVAPORADOR MFP70	EVAPORATOR MFP70	6029010159	6029010195
3	VENTILADOR EVAPORADOR	EVAPORATOR FAN	6021050116	6021050116
	ASPA VENT. DEL EVAP.	EVAPORATOR FAN BLADE	6021050073	6021050073
4	REJILLA VENTILADOR	FAN GRILLE	6003010475	6003010475
5	DESAGUE CANALIZADOR	DRAIN CANAL	6003010184	6003010184
6	REJILLA TRASERA MOTOR	REAR VENTILATION GRILLE	6003010181	6003010181
7	COMPRESOR MFP70	COMPRESSOR MFP70	6021010263	6021010264
8	BANDEJA EVAP. AUTOM.	AUTOMATIC EVAP. TRAY	6003010023	6003010023
9	VENTILADOR CONDENSADOR MFP70	CONDENSER FAN MR70	6021050153	6021050148
	ASPA VENT. DEL COND. MFP70	CONDENSER FAN BLADE MFP70	6021050073	6021050080
	PATA VENT. DEL COND. MFP70	CONDENSER FAN SUPPORT MFP70	6021050101	6021050125
10	CONDENSADOR MFP70	CONDENSER MFP70	6029020116	6029020119
11	PATA REGULABLE	ADJUSTABLE FEET	6007050017	6007050017
12	TAPÓN DESAGUE 3/4	DRAIN CAP 3/4	6003010262	6003010262
13	DESAGUE 3/4	DRAIN TUBE 3/4	6003010326	6003010326
14	REJILLA CUADRO MANDOS	CONTROL PANEL GRILLE	M177010121	M177010121
15	TERMOSTATO	THERMOSTAT	6021350114	6021350114
	SONDA	PROBE	6021350083	6021350083
16	PUERTA MFP70	DOOR MFP70	M169010193	M169010193
17	BURLETE	SEAL	6045010119	6045010119
18	SOP. BISAGRA INF. IZQ.	LOWER LEFT HINGE SUPPORT	6033010098	6033010098
19	BISAGRA DE TORSIÓN	TORSION HINGE	6033010100	6033010100
20	CAJA ALOJAMIENTO MUELLE	HINGE PIN SUPPORT	6003010136	6003010136
21	EJE PUERTA	SPLINDE DOOR	6033090162	6033090162
22	CREMALLERA RESPALDO	BACK SHELF RACK	M109051138	M109051138
	CREMALLERA RESPALDO LADO GRUPO	MOTOR SIDE BACK SHELF RACK	M109051139	M109051139
23	CREMALLERA MARCO	FRONT SHELF RACK	M109051135	M109051135
24	GUÍA "U" 562mm	SLIDE "U" 562mm	6033050015	6033050015
25	PARRILLA	SHELF	6027010003	6027010003
26	EMBELLECEDOR FRONTAL S/E	FRONT WHELL TRIM S/E	M181050024	M181050025



Gas R290

Nº	DESCRIPCIÓN	DESCRIPTION	CAJÓN/DRAWER
27	CAJÓN NEUTRO INF COMPLETO	COMPLETE LOWER NEUTRAL DRAWER	M169130048
28	PUERTA CAJÓN NEUTRO INF COMPLETA	COMPLETE LOWER NEUTRAL DRAWER DOOR	M169010182
29	CAJÓN NEUTRO SUP COMPLETO	COMPLETE TOP NEUTRAL DRAWER	M169130049
30	PUERTA CAJÓN NEUTRO SUP COMPLETA	COMPLETE TOP NEUTRAL DRAWER DOOR	M169010183
31	CUERPO CAJÓN NEUTRO GAMA 700	NEUTRAL DRAWER BODY RANGE 700	M109051095
32	JUEGO DE GUÍAS 600mm	TELESCOPIC SLIDE 600mm	6033050051
33	CAJÓN NEUTRO COMPLETO (7 CAJONES)	COMPLETE NEUTRAL DRAWER (7 DRAWERS)	M169130047
34	PUERTA CAJÓN NEUTRO COMPLETA (7 CAJONES)	COMPLETE NEUTRAL DRAWER DOOR (7 DRAWERS)	M169010143
35	CUERPO CAJÓN NEUTRO (7 CAJONES)	NEUTRAL DRAWER BODY (7 DRAWERS)	M109011360
36	FONDO CAJÓN NEUTRO (7 CAJONES)	NEUTRAL DRAWER BOTTOM (7 DRAWERS)	M109010822

MÓDULO 4 CAJONES
(MODULE 4 DRAWERS)

MÓDULO 7 CAJONES
(MODULE 7 DRAWERS)

CON EXPOSITOR
EI-1/4-180
EI-1/4-225