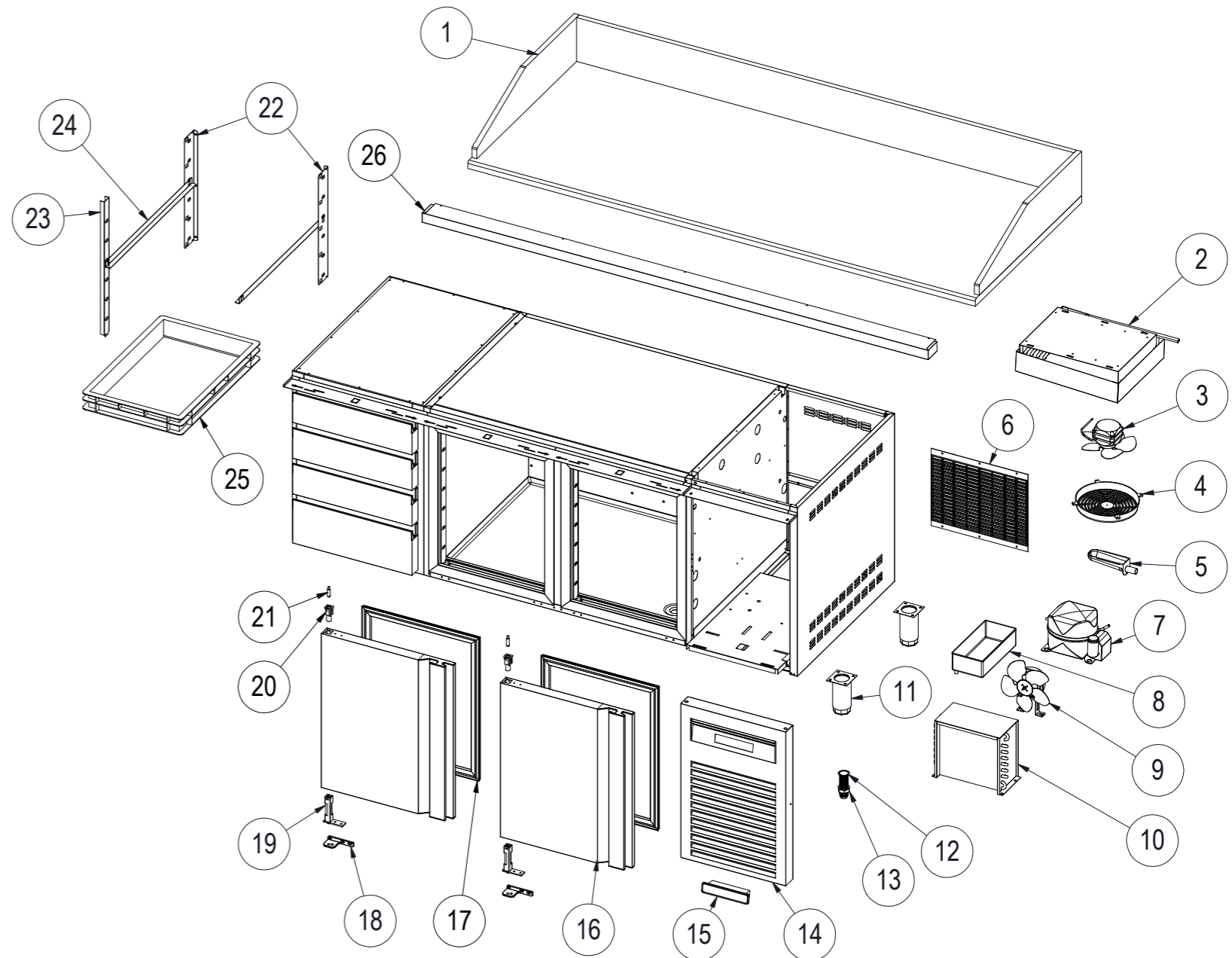
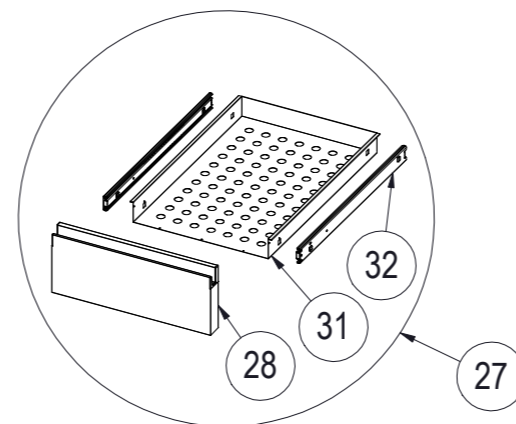
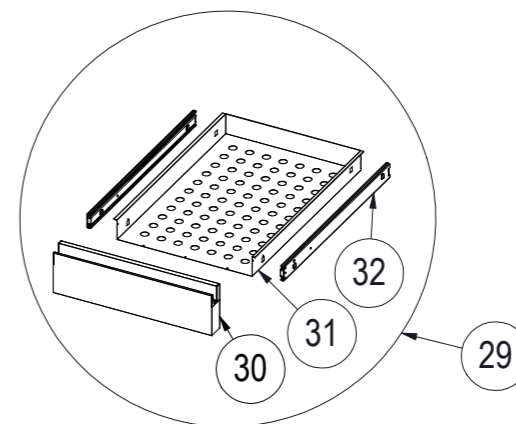
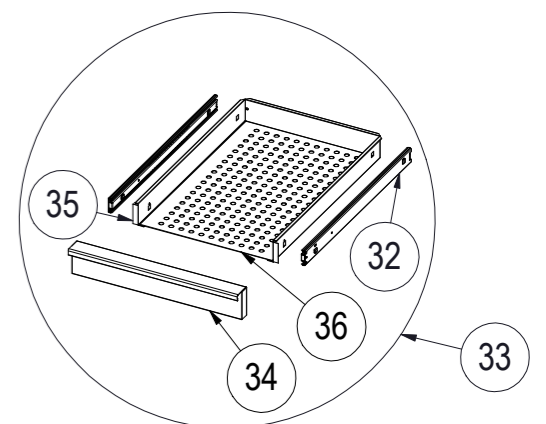


Nº	DESCRIPCIÓN	DESCRIPTION	MFP80-200	MFP80-250
1	ENCIMERA GRANITO	GRANITE WORKTOP	6031010079	6031010080
	PETO LATERAL GRANITO	SIDE GRANITE UPSTAND	6031010116	6031010116
	PETO TRASERO GRANITO	REAR GRANITE UPSTAND	6031010120	6031010118
2	EVAPORADOR MFP80	EVAPORATOR MFP80	6029010159	6029010195
3	VENTILADOR EVAPORADOR	EVAPORATOR FAN	6021050116	6021050116
	ASPA VENT. DEL EVAP.	EVAPORATOR FAN BLADE	6021050073	6021050073
	REJILLA VENTILADOR	FAN GRILLE	6003010475	6003010475
4	DESAGUE CANALIZADOR	DRAIN CANAL	6003010184	6003010184
5	REJILLA TRASERA MOTOR	REAR VENTILATION GRILLE	6003010181	6003010181
6	COMPRESOR MFP80	COMPRESSOR MFP80	6021010263	6021010264
7	BANDEJA EVAP. AUTOM.	AUTOMATIC EVAP. TRAY	6003010023	6003010023
9	VENTILADOR CONDENSADOR MFP80	CONDENSER FAN MFP80	6021050153	6021050148
	ASPA VENT. DEL COND. MFP80	CONDENSER FAN BLADE MFP80	6021050073	6021050080
	PATA VENT. DEL COND. MFP80	CONDENSER FAN SUPPORT MFP80	6021050101	6021050125
10	CONDENSADOR MFP80	CONDENSER MFP80	6029020116	6029020119
11	PATA REGULABLE	ADJUSTABLE FEET	6007050017	6007050017
12	TAPÓN DESAGUE 3/4	DRAIN CAP 3/4	6003010262	6003010262
13	DESAGUE 3/4	DRAIN TUBE 3/4	6003010326	6003010326
14	REJILLA CUADRO MANDOS	CONTROL PANEL GRILLE	M177010121	M177010121
15	TERMOSTATO	THERMOSTAT	6021350114	6021350114
16	SONDA	PROBE	6021350083	6021350083
16	PUERTA MFP80	DOOR MFP80	M169010192	M169010192
17	BURLETE	SEAL	6045010115	6045010115
18	SOP. BISAGRA INF. IZQ.	LOWER LEFT HINGE SUPPORT	6033010098	6033010098
19	BISAGRA DE TORSIÓN	TORSION HINGE	6033010100	6033010100
20	CAJA ALOJAMIENTO MUELLE	HINGE PIN SUPPORT	6003010136	6003010136
21	EJE PUERTA	SPLINDE DOOR	6033090162	6033090162
22	CREMALLERA RESPALDO	BACK SHELF RACK	M109051193	M109051193
22	CREMALLERA RESPALDO LADO GRUPO	MOTOR SIDE BACK SHELF RACK	M109051241	M109051241
23	CREMALLERA MARCO	FRONT SHELF RACK	M109051192	M109051192
24	GUÍA "L" 649mm	SLIDE "L" 649mm	6033050014	6033050014
25	CAJA PLÁSTICO	PLASTIC BOX	6003010079	6003010079
26	EMBELLECEDOR FRONTAL S/E	FRONT WHELL TRIM S/E	M18105008	M18105009

Gas R290

Nº	DESCRIPCIÓN	DESCRIPTION	CAJÓN/DRAWER
27	CAJÓN NEUTRO INF COMPLETO	COMPLETE LOWER NEUTRAL DRAWER	M169130050
28	PUERTA CAJÓN NEUTRO INF COMPLETA	COMPLETE LOWER NEUTRAL DRAWER DOOR	M169010184
29	CAJÓN NEUTRO SUP COMPLETO	COMPLETE TOP NEUTRAL DRAWER	M169130051
30	PUERTA CAJÓN NEUTRO SUP COMPLETA	COMPLETE TOP NEUTRAL DRAWER DOOR	M169010185
31	CUERPO CAJÓN NEUTRO GAMA 800	NEUTRAL DRAWER BODY RANGE 800	M109051096
32	JUEGO DE GUÍAS 600mm	TELESCOPIC SLIDE 600mm	6033050051
33	CAJÓN NEUTRO COMPLETO (7 CAJONES)	COMPLETE NEUTRAL DRAWER (7 DRAWERS)	M169130040
34	PUERTA CAJÓN NEUTRO COMPLETA (7 CAJONES)	COMPLETE NEUTRAL DRAWER DOOR (7 DRAWERS)	M169010140
35	CUERPO CAJÓN NEUTRO (7 CAJONES)	NEUTRAL DRAWER BODY (7 DRAWERS)	M109011365
36	FONDO CAJÓN NEUTRO (7 CAJONES)	NEUTRAL DRAWER BOTTOM (7 DRAWERS)	M109050466


**MÓDULO 4 CAJONES**  
(MODULE 4 DRAWERS)

**MÓDULO 7 CAJONES**  
(MODULE 7 DRAWERS)

**CAJÓN INFERIOR**  
(LOWER DRAWER)

**CAJÓN SUPERIOR**  
(TOP DRAWER)

**CON EXPOSITOR**  
**EI-1/4-200**  
**EI-1/4-250**