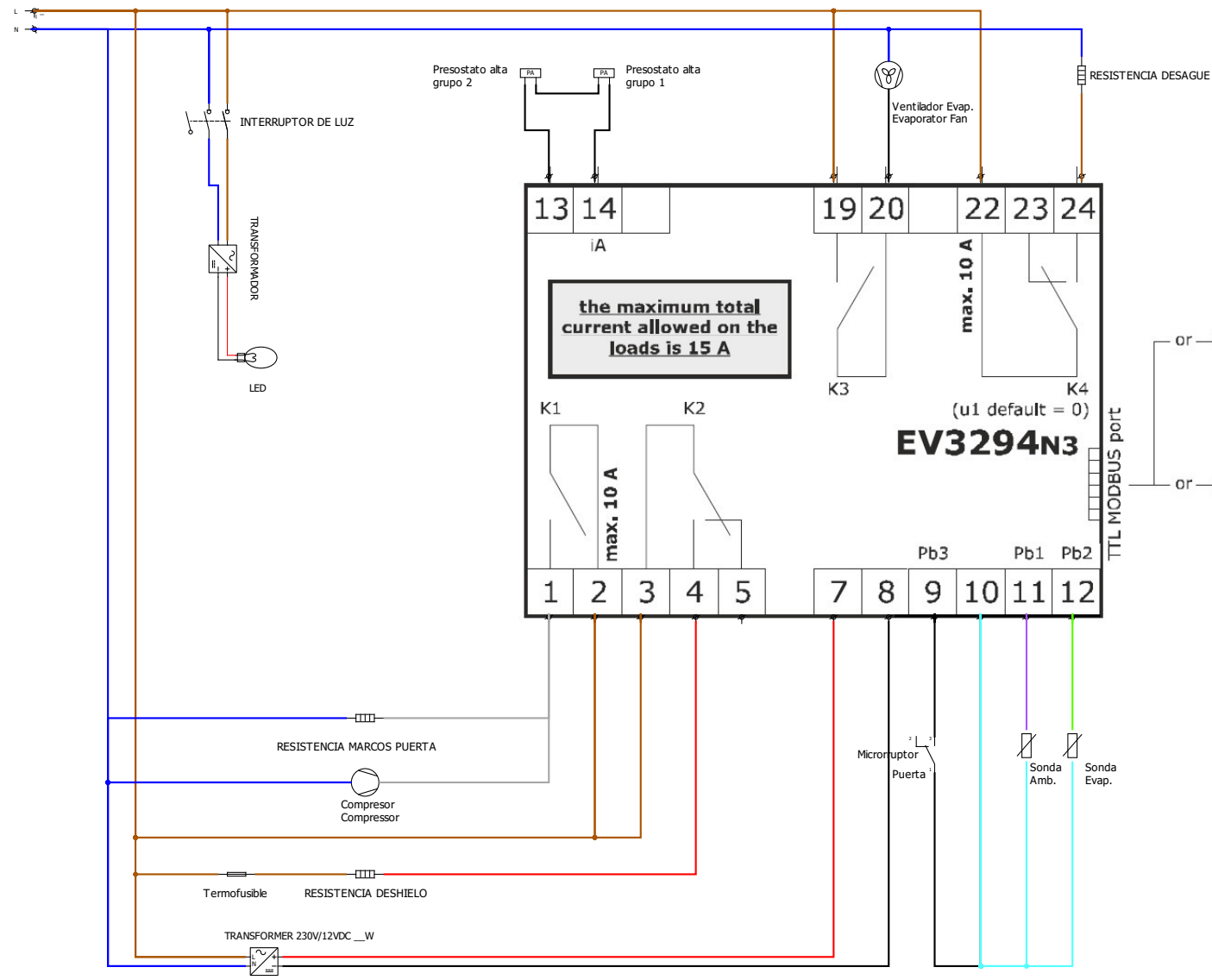


MANGUERA DE RED DE 3X1,5mm<sup>2</sup>  
230V-1 PH. 50Hz



**the maximum total current allowed on the loads is 15 A**

**EV3294N3**  
(u1 default = 0)

TTL MODBUS port

