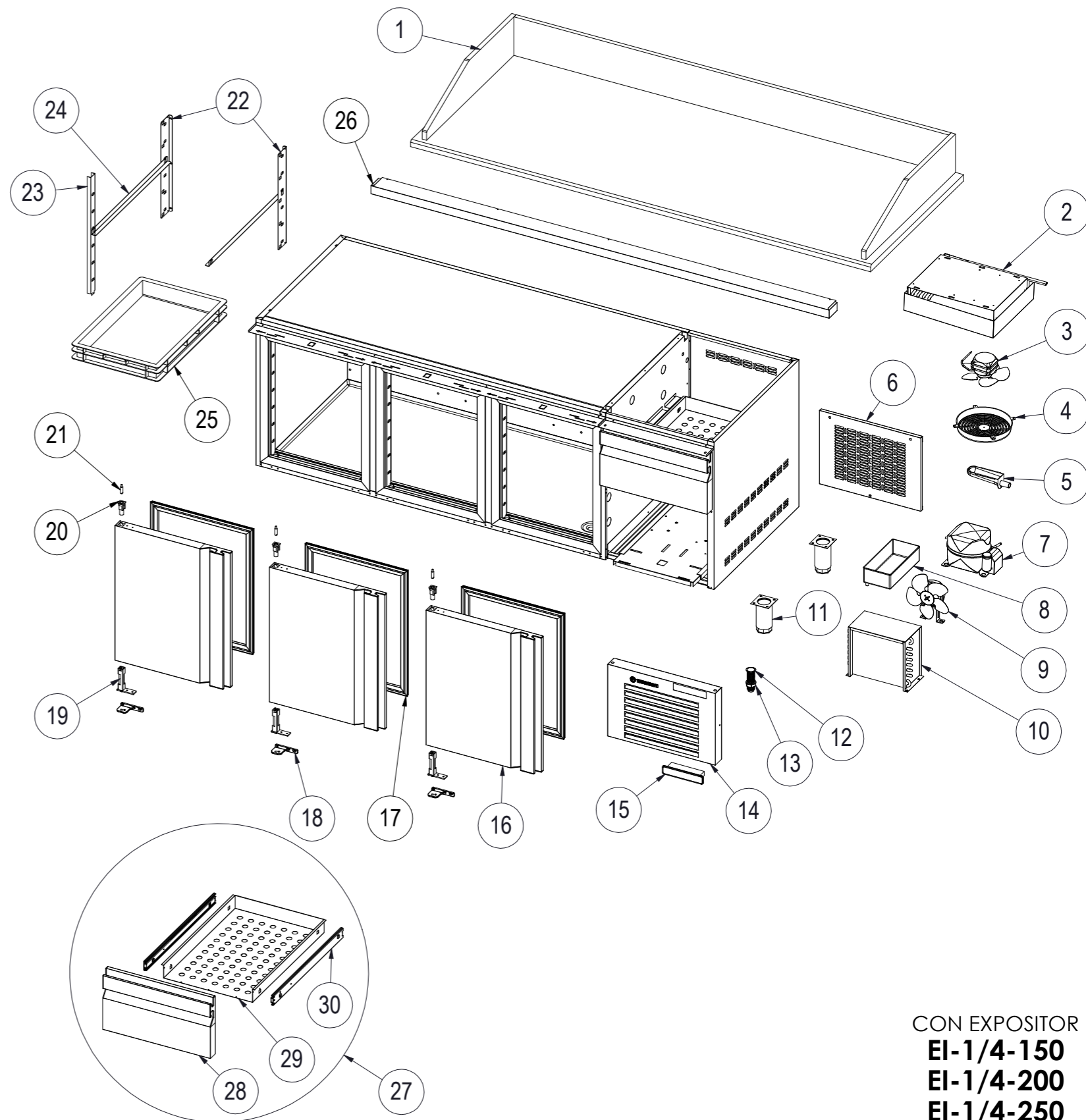


Nº	DESCRIPCIÓN	DESCRIPTION	MR80-160	MR80-210	MR80-265
1	ENCIMERA GRANITO	GRANITE WORKTOP	6031010109	6031010121	6031010126
	PETO LATERAL GRANITO	SIDE GRANITE UPSTAND	6031010116	6031010116	6031010116
	PETO TRASERO GRANITO	REAR GRANITE UPSTAND	6031010108	6031010120	6031010118
2	EVAPORADOR MR80	EVAPORATOR MR80	6029010159	6029010159	6029010195
3	VENTILADOR EVAPORADOR	EVAPORATOR FAN	6021050116	6021050116	6021050116
	ASPA VENT. DEL EVAP.	EVAPORATOR FAN BLADE	6021050073	6021050073	6021050073
	REJILLA VENTILADOR	FAN GRILLE	6003010475	6003010475	6003010475
5	DESAGUE CANALIZADOR	DRAIN CANAL	6003010184	6003010184	6003010184
6	REJILLA TRASERA MOTOR	REAR VENTILATION GRILLE	M109170447	M109170447	M109170447
7	COMPRESOR MR80	COMPRESSOR MR80	6021010263	6021010263	6021010264
8	BANDEJA EVAP. AUTOM.	AUTOMATIC EVAP. TRAY	6003010023	6003010023	6003010023
9	VENTILADOR CONDENSADOR MR80	CONDENSER FAN MR80	6021050153	6021050153	6021050148
	ASPA VENT. DEL COND. MR80	CONDENSER FAN BLADE MR80	6021050073	6021050073	6021050080
	PATA VENT. DEL COND. MR80	CONDENSER FAN SUPPORT MR80	6021050101	6021050101	6021050125
10	CONDENSADOR MR80	CONDENSER MR80	6029020116	6029020116	6029020119
11	PATA REGULABLE	ADJUSTABLE FEET	6007050017	6007050017	6007050017
12	TAPÓN DESAGUE 3/4	DRAIN CAP 3/4	6003010262	6003010262	6003010262
13	DESAGUE 3/4	DRAIN TUBE 3/4	6003010326	6003010326	6003010326
14	REJILLA CUADRO MANDOS	CONTROL PANEL GRILLE	M109012046	M109012046	M109012046
15	TERMOSTATO	THERMOSTAT	6021350114	6021350114	6021350114
	SONDA	PROBE	6021350083	6021350083	6021350083
16	PUERTA MR80	DOOR MR80	M169010192	M169010192	M169010192
17	BURLETE	SEAL	6045010115	6045010115	6045010115
18	SOP. BISAGRA INF. IZQ.	LOWER LEFT HINGE SUPPORT	6033010098	6033010098	6033010098
19	BISAGRA DE TORSIÓN	TORSION HINGE	6033010100	6033010100	6033010100
20	CAJA ALOJAMIENTO MUELLE	HINGE PIN SUPPORT	6003010136	6003010136	6003010136
21	EJE PUERTA	SPLINDE DOOR	6033090162	6033090162	6033090162
22	CREMALLERA RESPALDO	BACK SHELF RACK	M109051193	M109051193	M109051193
	CREMALLERA RESPALDO LADO GRUPO	MOTOR SIDE BACK SHELF RACK	M109051241	M109051241	M109051241
23	CREMALLERA MARCO	FRONT SHELF RACK	M109051192	M109051192	M109051192
24	GUÍA "L" 649mm	SLIDE "L" 649mm	6033050014	6033050014	6033050014
25	CAJA PLÁSTICO	PLASTIC BOX	6003010079	6003010079	6003010079
26	EMBELLECEDOR FRONTAL S/E	FRONT WHELL TRIM S/E	M181050016	M181050017	M181050018

Gas R290

Nº	DESCRIPCIÓN	DESCRIPTION	CAJÓN/DRAWER
27	CAJÓN NEUTRO COMPLETO	COMPLETE NEUTRAL DRAWER	M169120377
28	PUERTA CAJÓN NEUTRO COMPLETA	COMPLETE NEUTRAL DRAWER DOOR	M169010191
29	CUERPO CAJÓN NEUTRO GAMA 800	NEUTRAL DRAWER BODY RANGE 800	M109051096
30	JUEGO DE GUÍAS 600mm	TELESCOPIC SLIDE 600mm	6033050051


 CON EXPOSITOR
EI-1/4-150
EI-1/4-200
EI-1/4-250