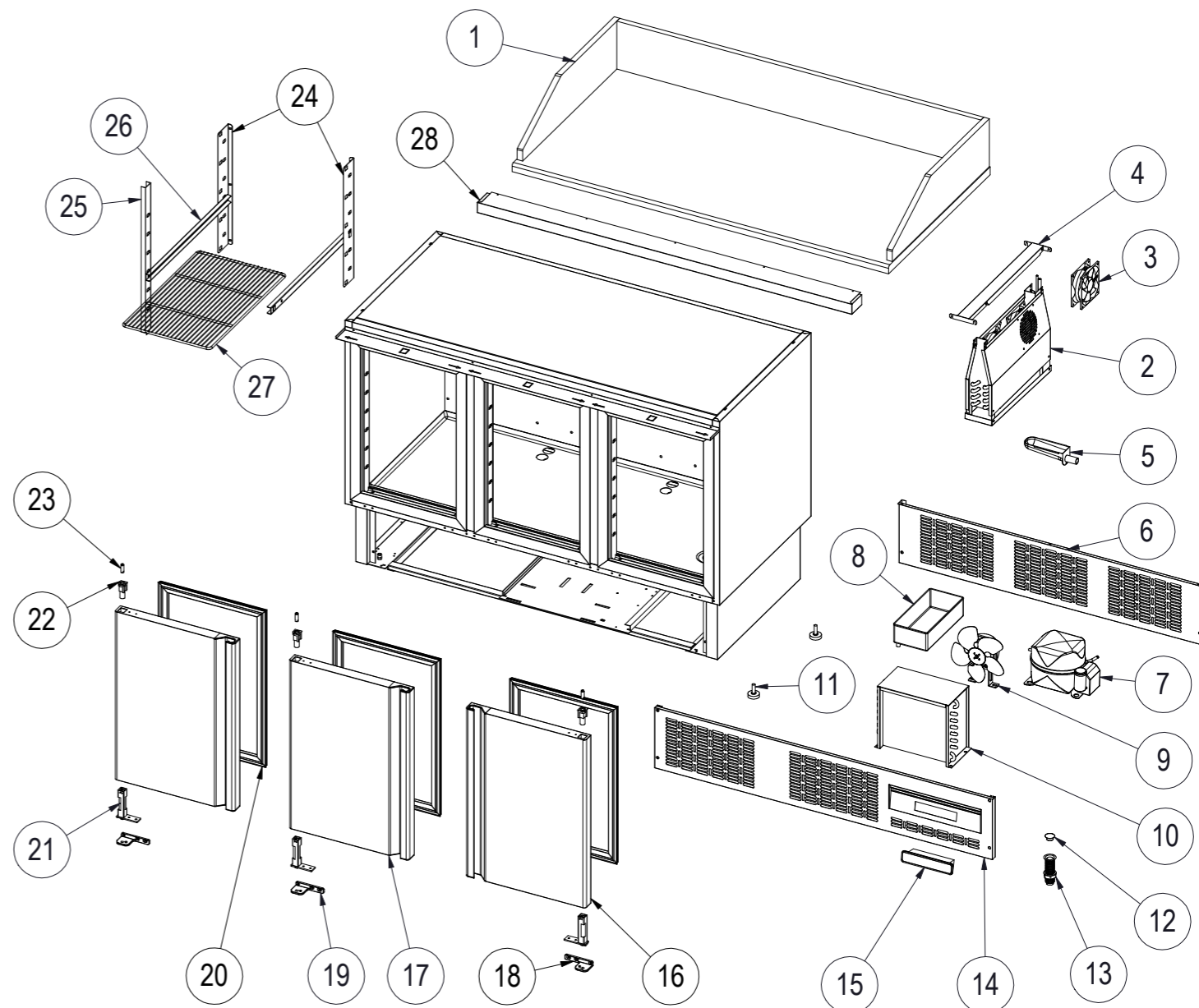


Nº	DESCRIPCIÓN	DESCRIPTION	MFCP-140
1	ENCIMERA GRANITO	GRANITE WORKTOP	6031010153
	PETO LATERAL GRANITO	SIDE GRANITE UPSTAND	6031010112
	PETO TRASERO GRANITO	REAR GRANITE UPSTAND	6031010127
2	EVAPORADOR MFCP	EVAPORATOR MFCP	6029010224
3	VENTILADOR EVAPORADOR	EVAPORATOR FAN	6021050006
4	TAPA EVAPORADOR	EVAPORATOR COVER	M109051403
5	DESAGUE CANALIZADOR	DRAIN CANAL	6003010184
6	REJILLA TRASERA MOTOR	REAR VENTILATION GRILLE	M109011611
7	COMPRESOR MFCP	COMPRESSOR MFCP	6021010236
8	BANDEJA EVAP. AUTOM.	AUTOMATIC EVAP. TRAY	6003010023
9	VENTILADOR CONDENSADOR MFCP	CONDENSER FAN MFCP	6021050112
	ASPA VENT. DEL COND. MFCP	CONDENSER FAN BLADE MFCP	6021050081
10	CONDENSADOR MFCP	CONDENSER MFCP	6029020135
11	PATA REGULABLE	ADJUSTABLE FEET	6003010275
12	TAPÓN DESAGUE 3/4	DRAIN CAP 3/4	6003010262
13	DESAGUE 3/4	DRAIN TUBE 3/4	6003010326
14	REJILLA CUADRO MANDOS	CONTROL PANEL GRILLE	M109010924
15	TERMOSTATO	THERMOSTAT	6021350114
	SONDA	PROBE	6021350083
16	PUERTA APER. DCHA MFCP	RIGHT OPENING DOOR MFCP	M169010108
17	PUERTA APER. IZQ MFCP	LEFT OPENING DOOR MFCP	M169010084
18	SOP. BISAGRA INF. DCHA.	LOWER RIGHT HINGE SUPPORT	6033010099
19	SOP. BISAGRA INF. IZQ.	LOWER LEFT HINGE SUPPORT	6033010098
20	BURLETE	SEAL	6045010119
21	BISAGRA DE TORSIÓN	TORSION HINGE	6033010100
22	CAJA ALOJAMIENTO MUELLE	HINGE PIN SUPPORT	6003010136
23	EJE PUERTA	SPLINDE DOOR	6033090064
24	CREMALLERA RESPALDO	BACK SHELF RACK	M109051138
25	CREMALLERA MARCO	FRONT SHELF RACK	M109051135
26	JUEGO DE GUÍAS "U" 562mm	SET OF SHELF SLIDES "U" 562mm	6033050027
27	PARRILLA	SHELF	6027010003
28	EMBELLECEDOR FRONTAL S/E	FRONT WHELL TRIM S/E	M109011569

Gas R290



Nº	DESCRIPCIÓN	DESCRIPTION	MFCP-140
2*	EVAPORADOR MFCP	EVAPORATOR MFCP	6029010224
7*	COMPRESOR MFCP	COMPRESSOR MFCP	6021010142
9*	VENTILADOR CONDENSADOR MFCP	CONDENSER FAN MFCP	-
	ASPA VENT. DEL COND. MFCP	CONDENSER FAN BLADE MFCP	-
10*	CONDENSADOR MFCP	CONDENSER MFCP	6029020084

*Gas opcional R-134a (Optional gas R-134a)